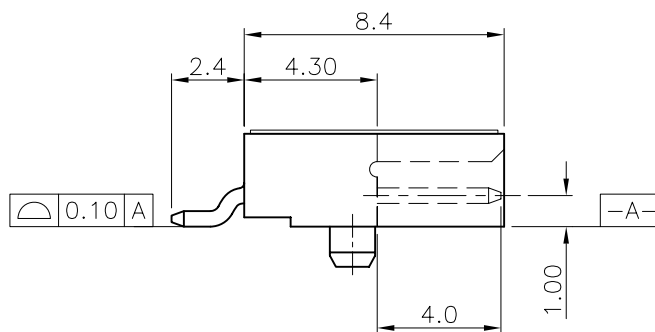
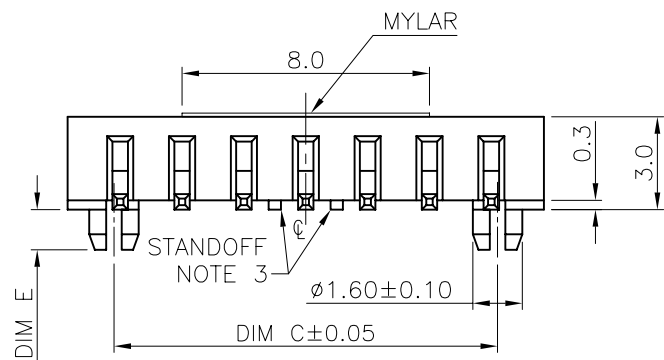


PCB RECOMMEND LAYOUT
GENERAL TOLERANCE ± 0.05



NOTES:

- MATERIAL:
 - HOUSING: HALOGEN FREE PLASTIC, UL94V-0.
 - CONTACT: COPPER ALLOY
- CONTACT:
 - 50U" NICKEL OVERALL, GOLD FLASH ON CONTACT & SOLDER AREA
 - 50U" NICKEL OVERALL, 50~120U" MATT TIN ON CONTACT & SOLDER AREA
- WHEN 3, 4, 5 PIN, CANCEL STANDOFF STRUCTURE.
- REFLOW SOLDER CAPABLE TO 260°C PER ACES SPEC.
- SPEC. PLS. REFER TO PS-50299-XXXX-XXX
- PACKAGE PLS. SEE P/N LEGEND
- PART NUMBER

P/N LEGEND

50299-XXX X X-XXX

NO. OF CKTS

PACKAGE
0: TAPE & REEL
1: TUBE

4: TAPE & REEL WITH MYLAR
5: TUBE WITH MYLAR

XXX	DIM E	MATERIAL & COLOR	PACKAGE	NOTES
001	0.9	HTN & BLACK	88299-XXXX-TRP	/
002	1.3	HTN & BLACK	88299-XXXX-TRP 88299-XXXX-06-TRP(10PIN)	/
003	0.9	HTN & BLACK	88299-XXXX-P-TRP	/
004	0.9	LCP & BLACK	88299-XXXX-TRP FOR 50299-XXXX-XX-TRP	QUANTA DFX
005	1.3	LCP & BLACK	88299-XXXX-TRP	/
006	0.9	LCP & BLACK	88299-XXXX-P-TRP	/

PLATING

1: GOLD FLASH
N: MATT TIN

CKT	Dim A	Dim B	Dim C
3	4.0	7.4	4.4
4	6.0	9.4	6.4
5	8.0	11.4	8.4
6	10.0	13.4	10.4
7	12.0	15.4	12.4
8	14.0	17.4	14.4
9	16.0	19.4	16.4
10	18.0	21.4	18.4
11	20.0	23.4	20.4
12	22.0	25.4	22.4
13	24.0	27.4	24.4
14	26.0	29.4	26.4
15	28.0	31.4	28.4
16	30.0	33.4	30.4
17	32.0	35.4	32.4

一般公差 TOLERANCES X ± 0.5 XX ± 0.15 X ± 0.25 XXX ± 0.1 ANGLES $\pm 2^\circ$		宏致電子股份有限公司 Aces Electronics Co., Ltd.	
檢驗尺寸標示 SYMBOLS $\text{\textcircled{C}}$ $\text{\textcircled{M}}$ INDICATE CLASSIFICATION DIMENSION	品名 (TITLE) 2.0mm POWER CONN. SMT R/A TYPE	製圖 (DR) CHENYA 16/06/23 審核 (CHKD) BRAVE	核准 (APPD) FRANK
$\text{\textcircled{C}}$ MARK IS CRITICAL DIM. $\text{\textcircled{M}}$ MARK IS MAJOR DIM.	圖號 (DWG NO.) 50299-XXXX-XXX		
表面處理 (FINISH)	比例 (SCALE) 1:1	單位 (UNITS) mm	張數 (SHEET) 1 OF 1 SIZE A4 REV H